

Clarinox WayPoint



Clarinox

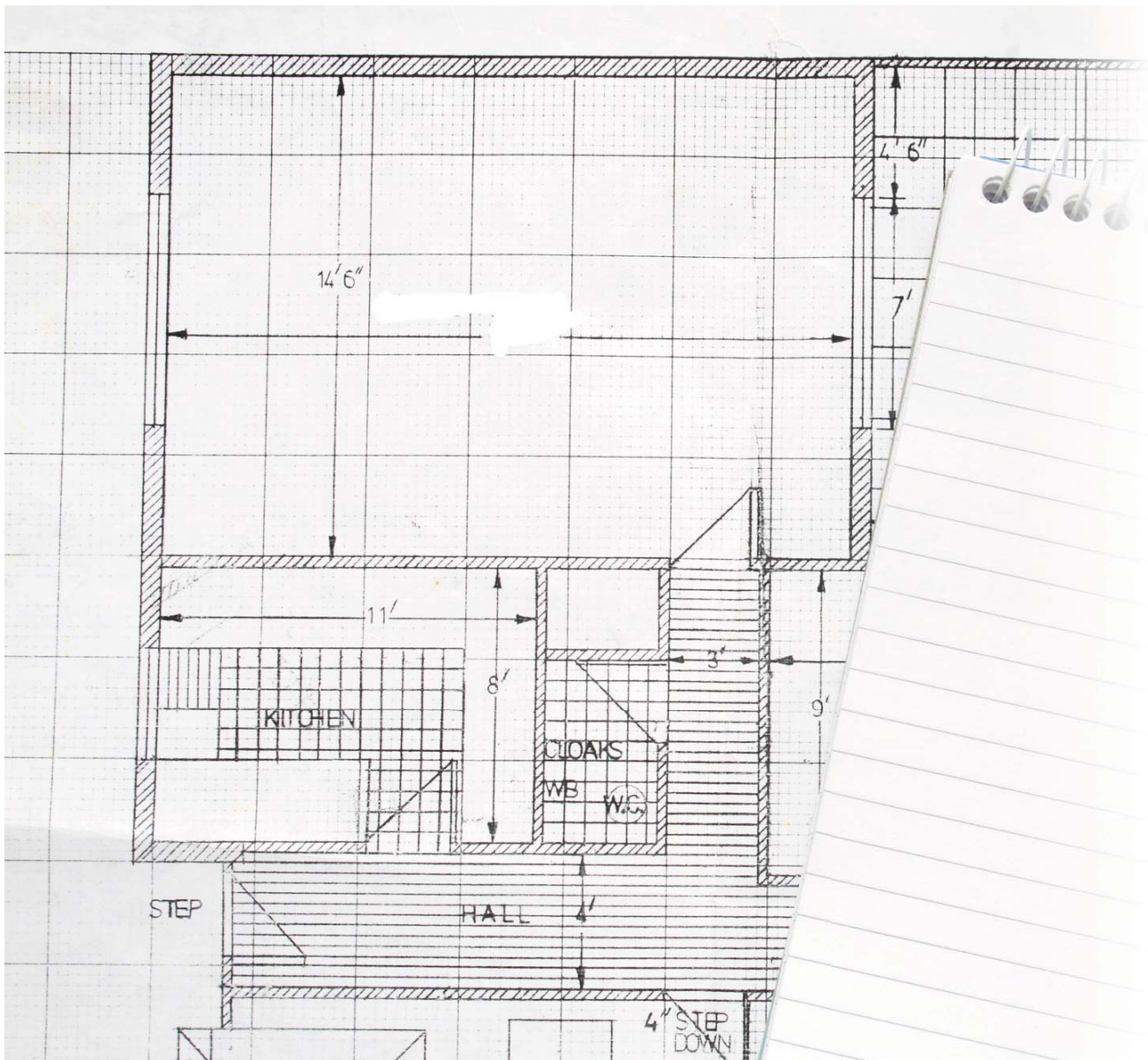
Flexible asset tracking and real time location
systems for a variety of applications

The System

The system is designed as a management tool for staff, inventory and assets.

The system is ideally suited to the following applications:

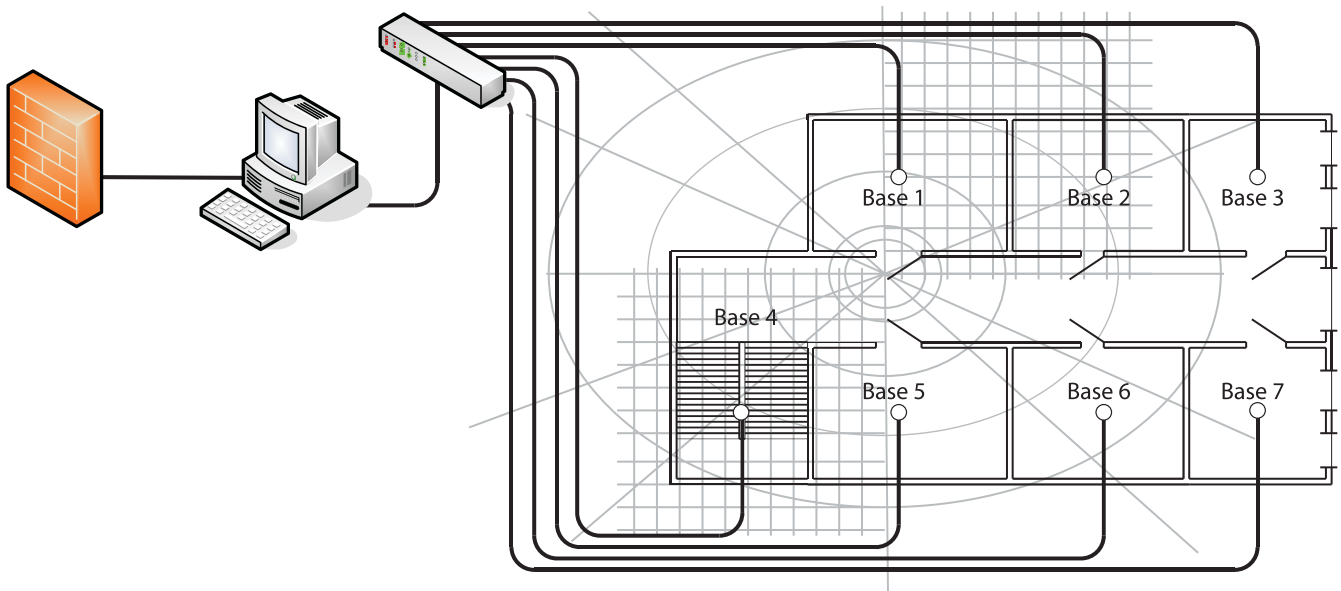
- Location determination
- Asset tracking
- Inventory control
- Cold chain inspection
- Industrial monitoring networks
- Agricultural management monitoring
- Sensor networks



Infrastructure

The system is designed to be configured and operated as a series of zones. Where each zone is fitted with a single base station that is able to receive messages from an asset tag. The asset tag information is stored / processed on the application computer and can be viewed and managed by an operator.

All information relating to the system is administered from a single application run on a standard computer using a Microsoft (Windows NT, 2000, XP and Vista) operating system.



Customisation

Every product and project is unique. At Clarinox we understand this and use our extensive experience with embedded product development to offer a wide range of customisation services to ensure that the product and system meets your proprietary needs.

Support is available for the deployment of custom applications and ongoing technical support.

Web Based GUI

Web based user interface for ease of access to the real time location information for users and administrators.

The top screenshot shows the 'Admin Menu' with a magnifying glass icon and the following options: **Tracked Assets**, **Tags**, **Readers**, **Locations**, and **Manage Users**.

The middle screenshot shows the 'Location Menu' with the following options: **Operating Theatre**, **Emergency Ward**, **Cardiac Ward**, **Administration**, and **Canteen**.

The bottom screenshot shows the 'Operating Theatre' location view with a table of tracked assets:

AssetID	AssetName	X	Y
2	Dell01	200	10
3	Trolley09	810	315
4	Trolley10	9	80
5	Trolley12	140	30
6	Trolley15	450	189
9	CCG-2	200	400

At the bottom of the screenshot, there is a status bar with the following data: X: 0, Y: 286, Location: 1, TimeStamp: 2009-09-02 18:16:21.0.

Contact Us

Clarinox Technologies Pty Ltd
PO Box 222, Sandringham
Victoria 3191, Australia

Telephone: + 61 3 9095 8088

Facsimile: + 61 3 8555 2507

e-mail: enquiries@clarinox.com

web: <http://www.clarinox.com>